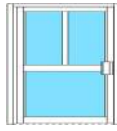
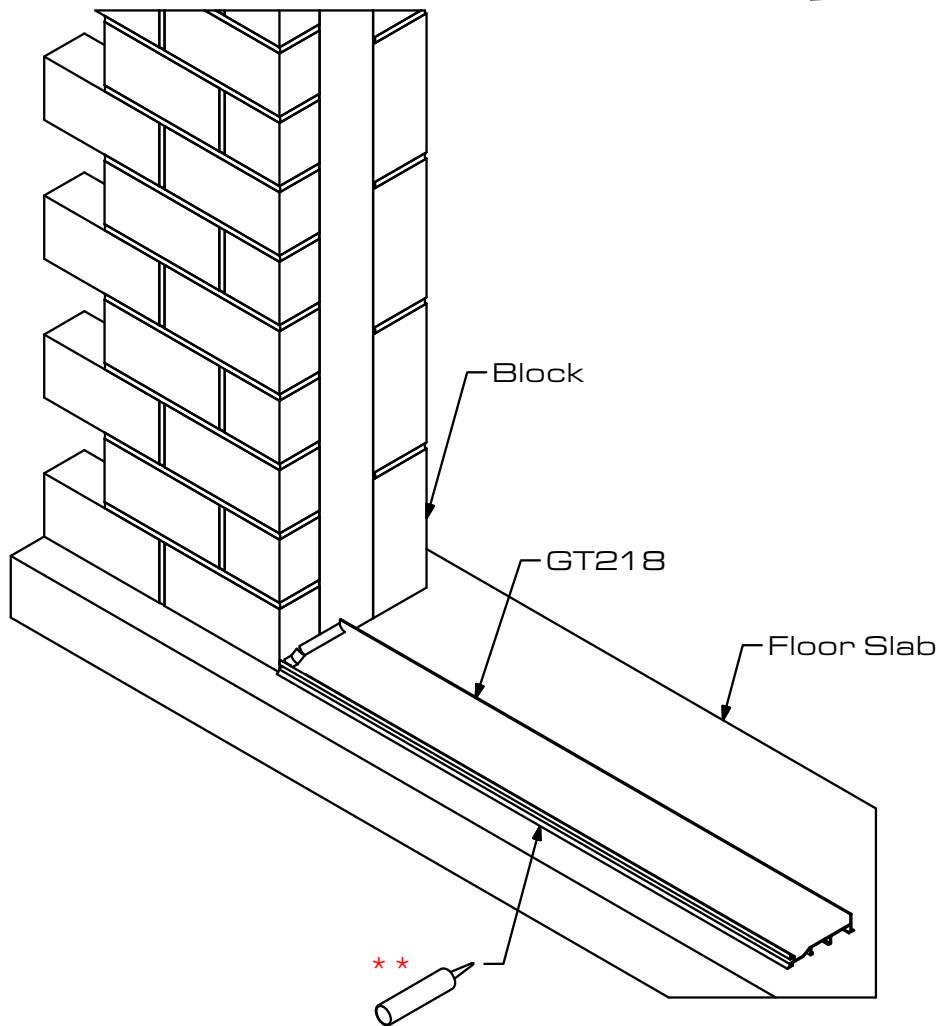
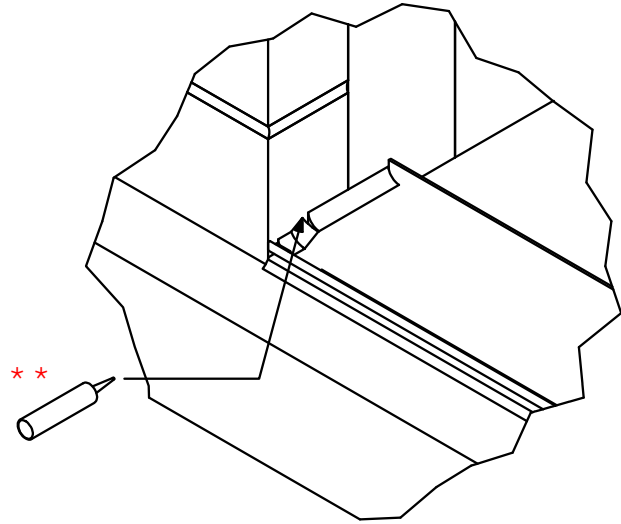
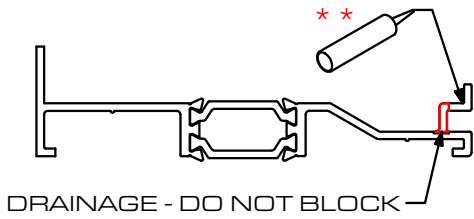


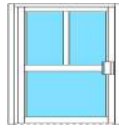
Section 4	
Title	Page
Sub Cill Sealing	132
Frame Fixing Detail	133
Panel Installation	134
Glazing Guide	135
Door Installation	136
Door Adjustments	137
LPS1175 Glazing	138
PAS24 Glazing	139
System Size Limits	140
Maintenance	141
Cleaning	142



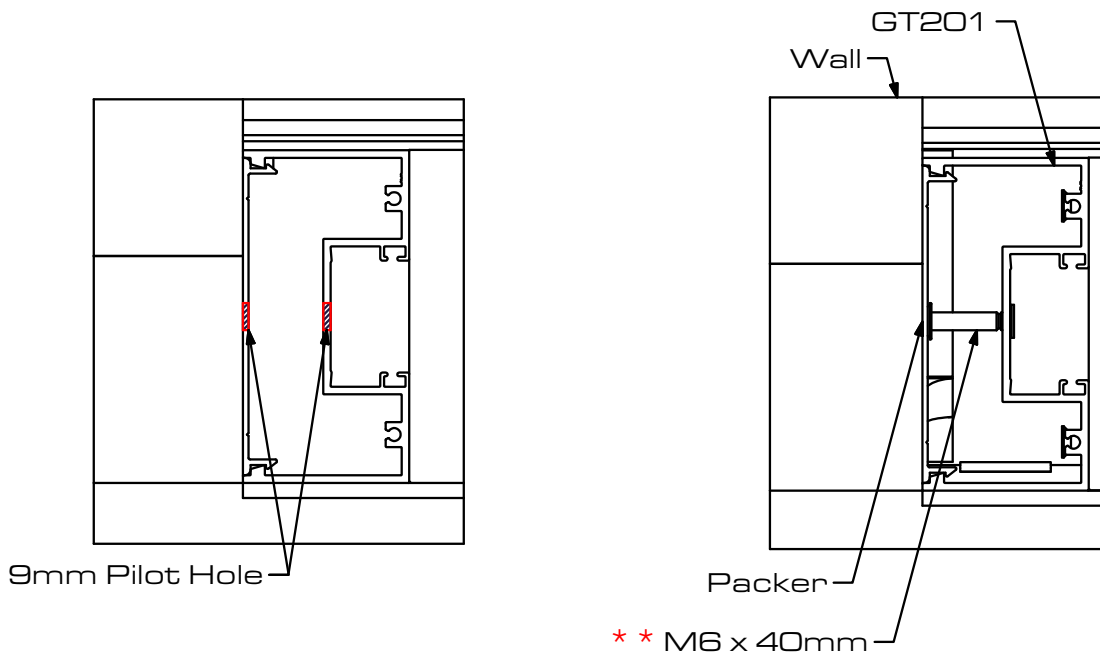
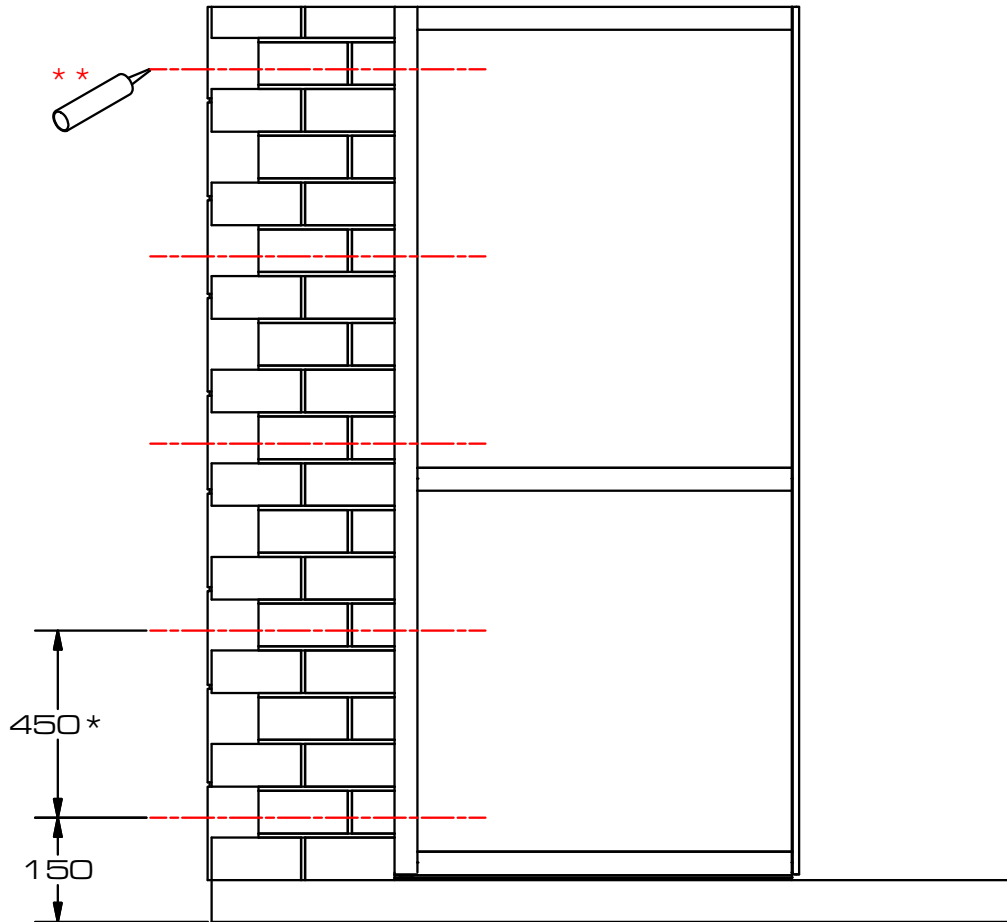
Sub Cill Sealing



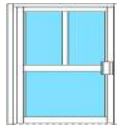
 Silicon seal all fixings



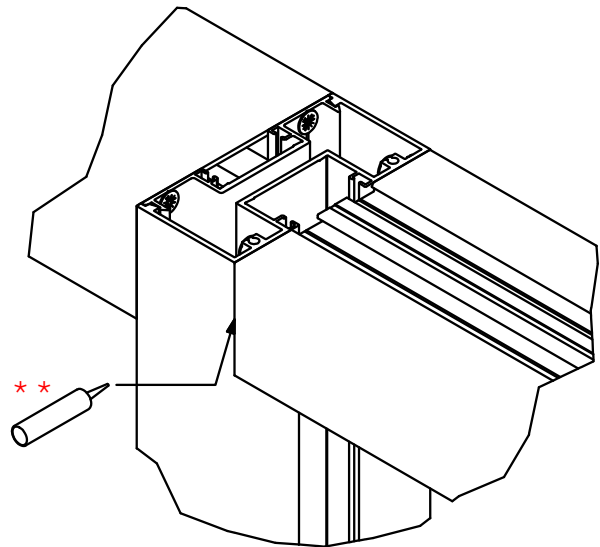
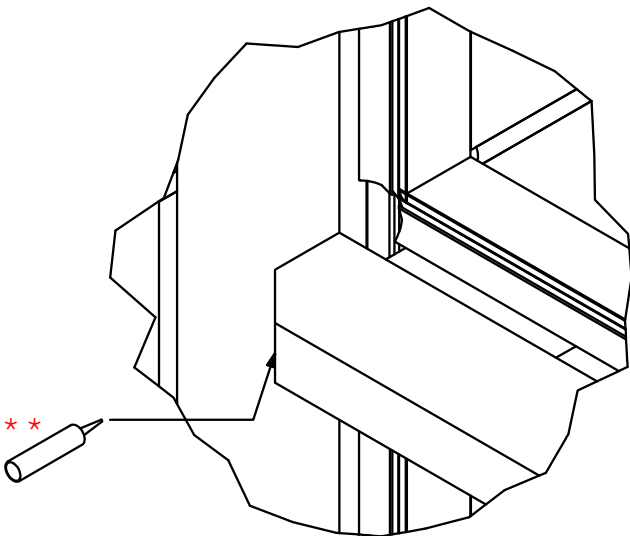
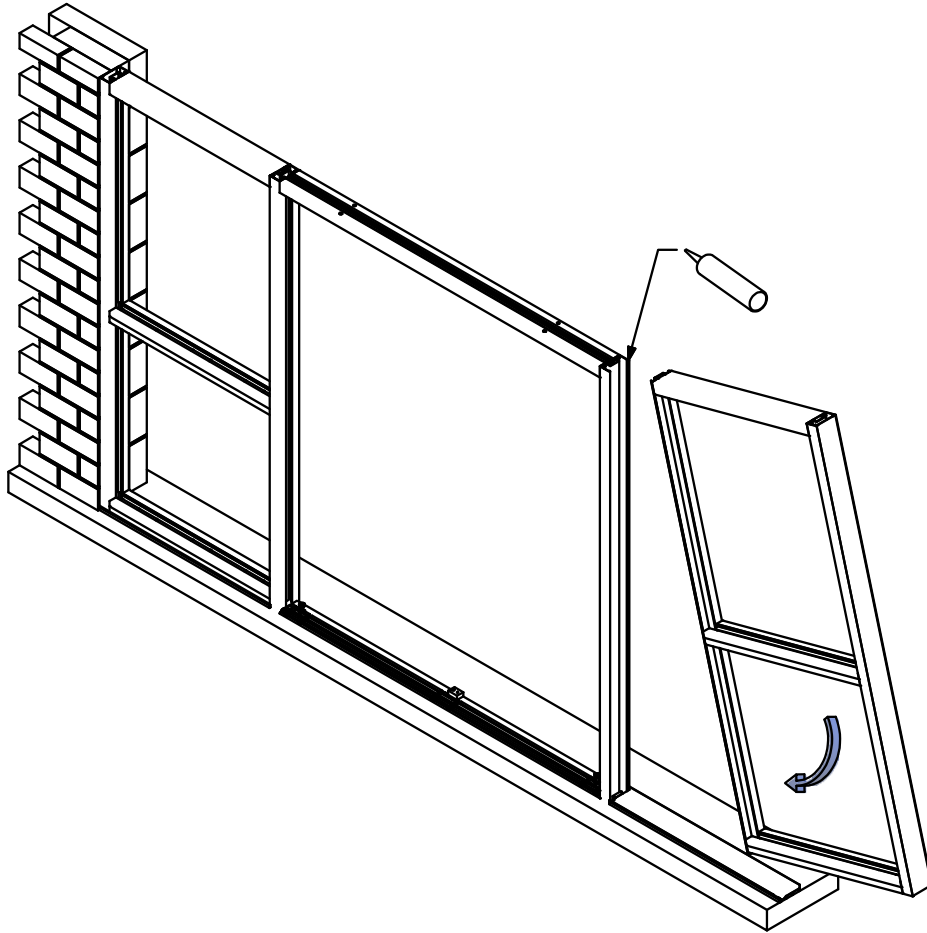
Frame Fixing Details

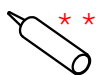


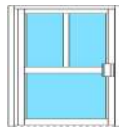
 ** Silicon seal all fixings



Panel Installation

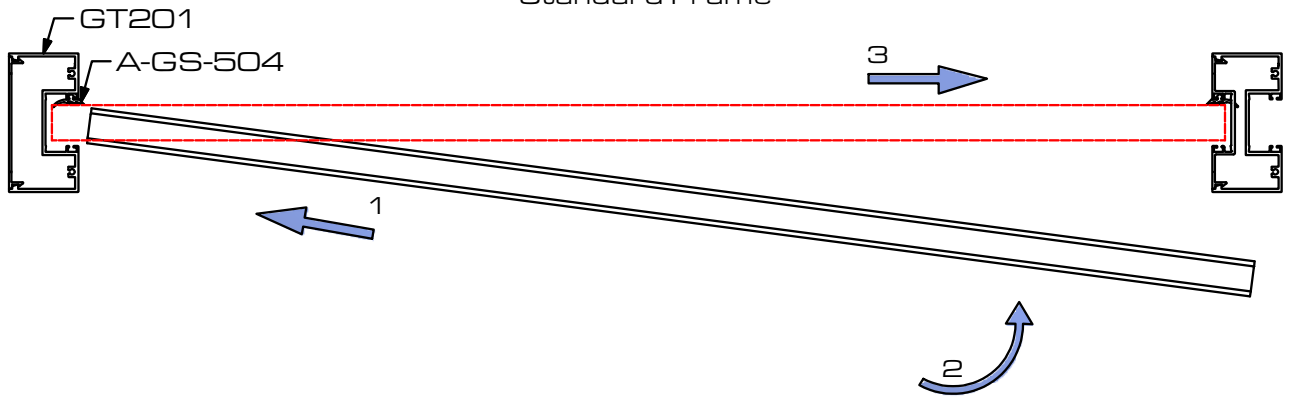


 **
Silicon seal all fixings
Silicon seal all joints

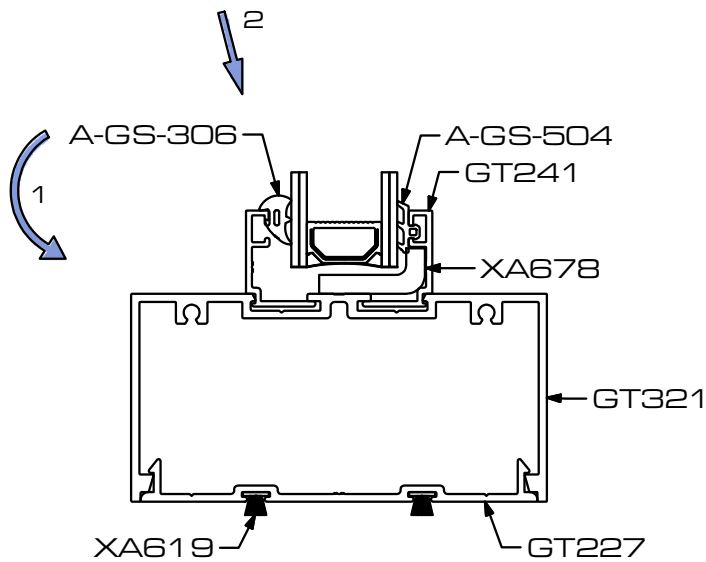


Glazing Guide

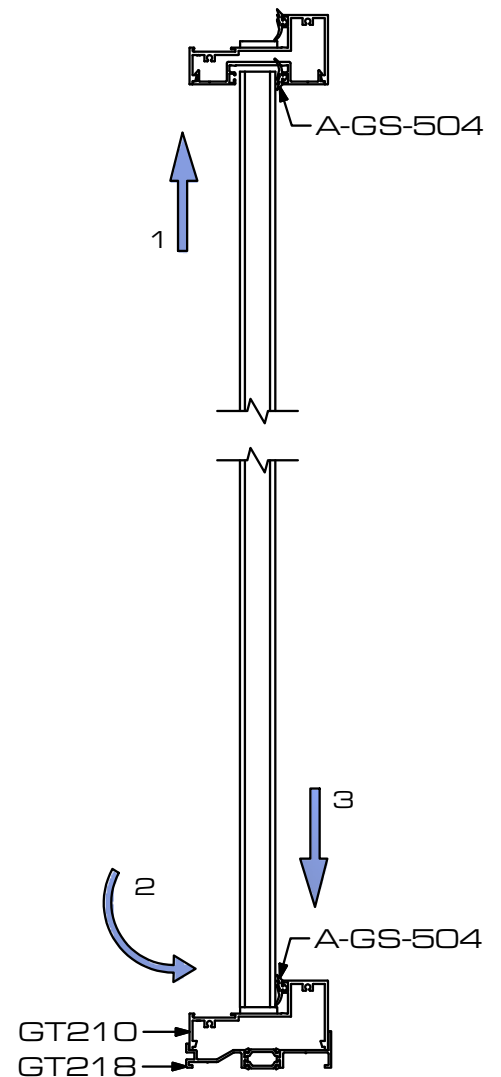
Standard Frame



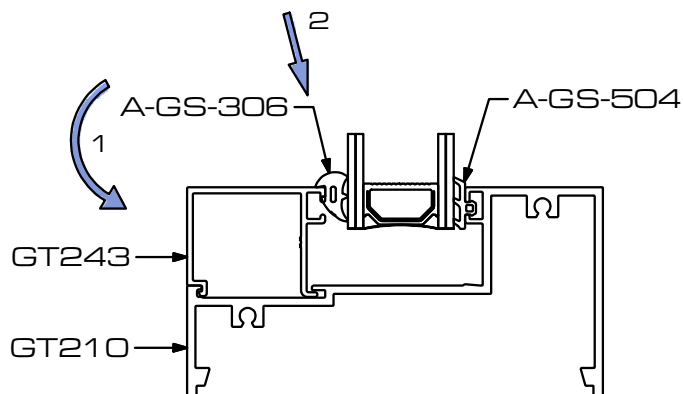
Beaded Transom



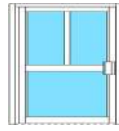
Standard Beaded Cill



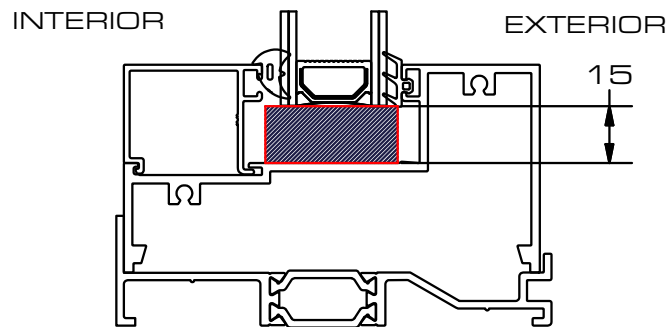
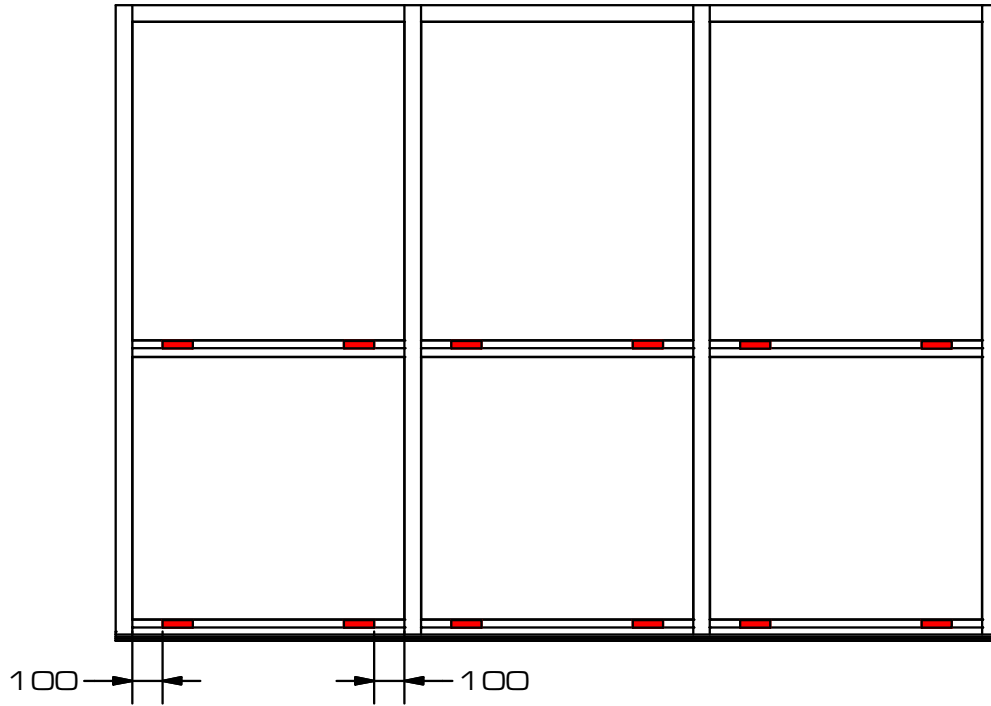
Beaded Cill



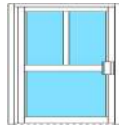
See Page 1-XY for Glazing Specification



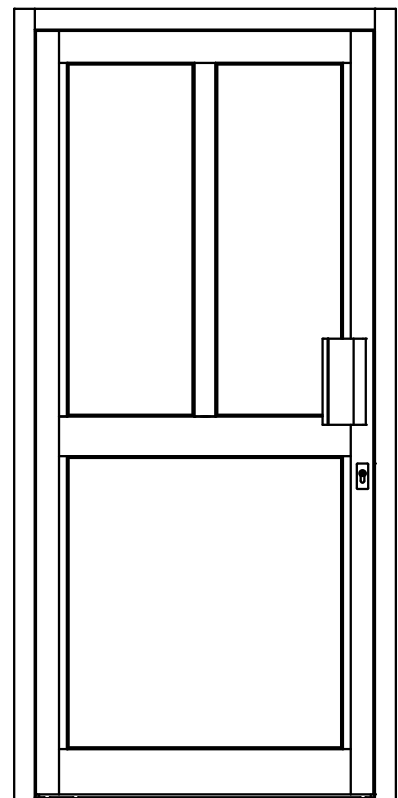
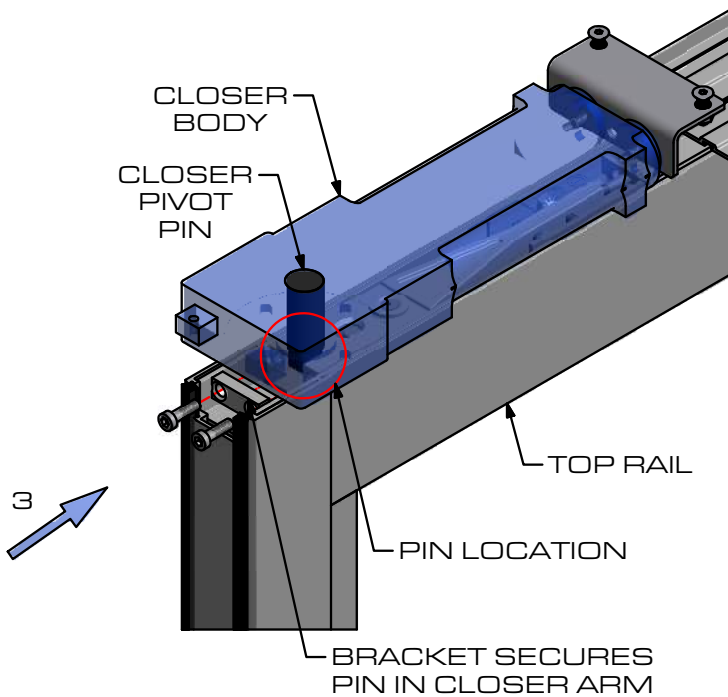
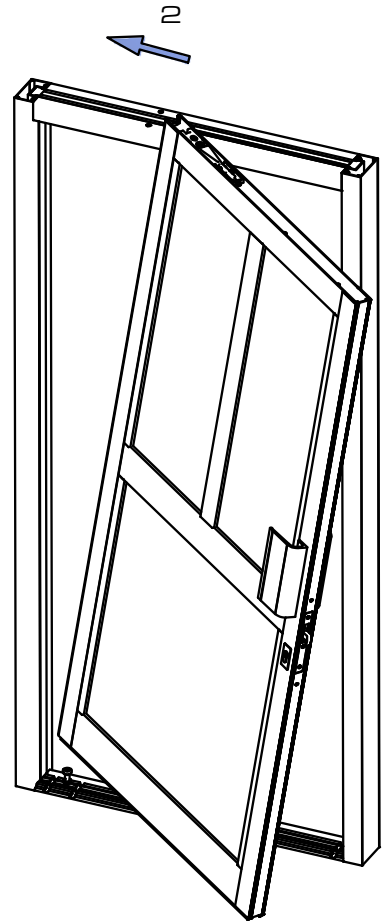
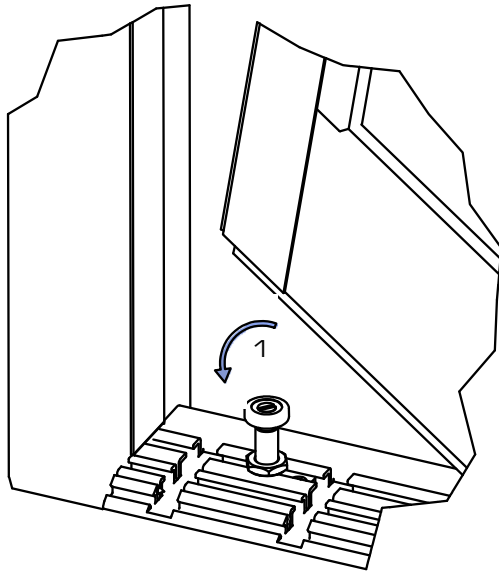
Glazing Support Details

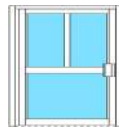


PACKERS SOURCED BY FABRICATOR



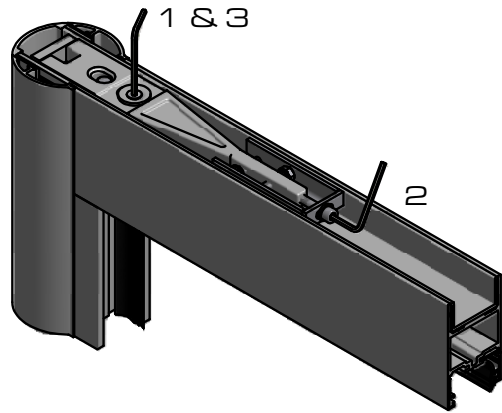
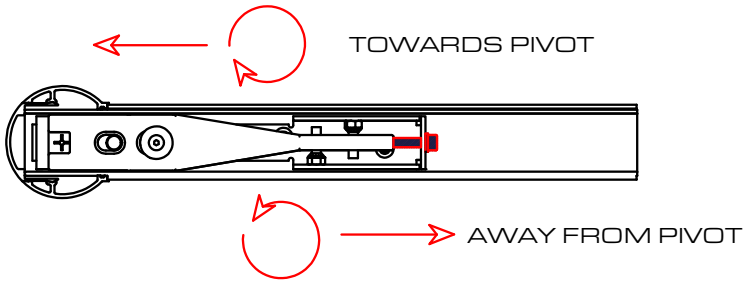
Door Installation



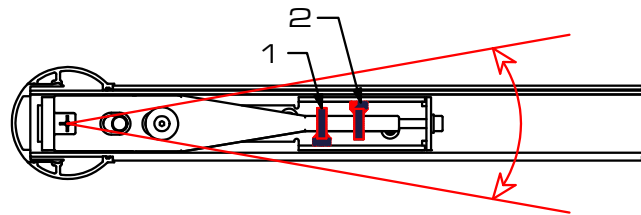
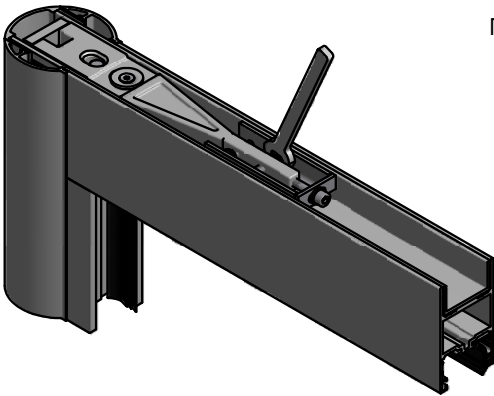


Door Adjustments

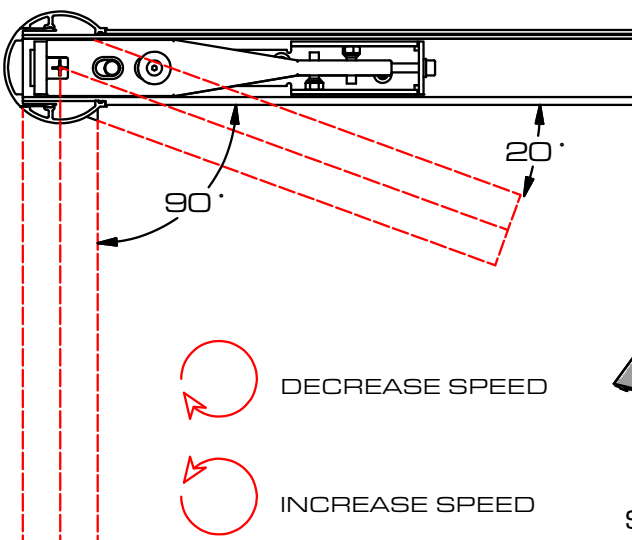
Door Alignment



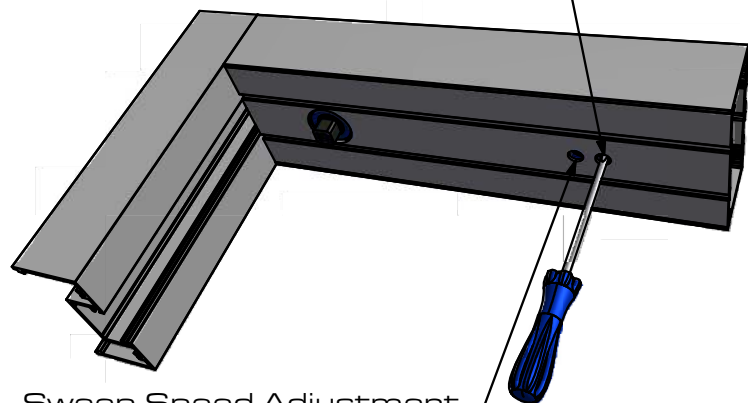
Neutral Positioning



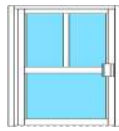
Closer Speed



Latch Speed Adjustment (20° to 0°)



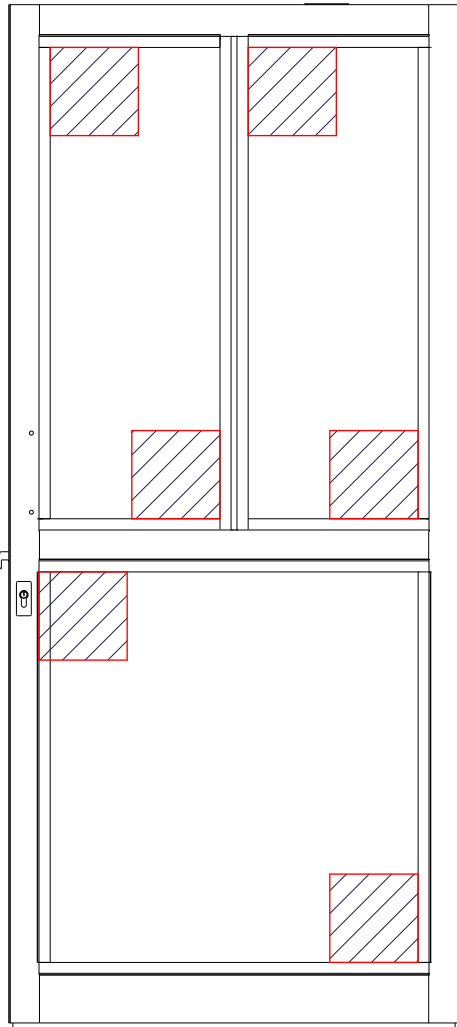
Sweep Speed Adjustment (90° to 20°)



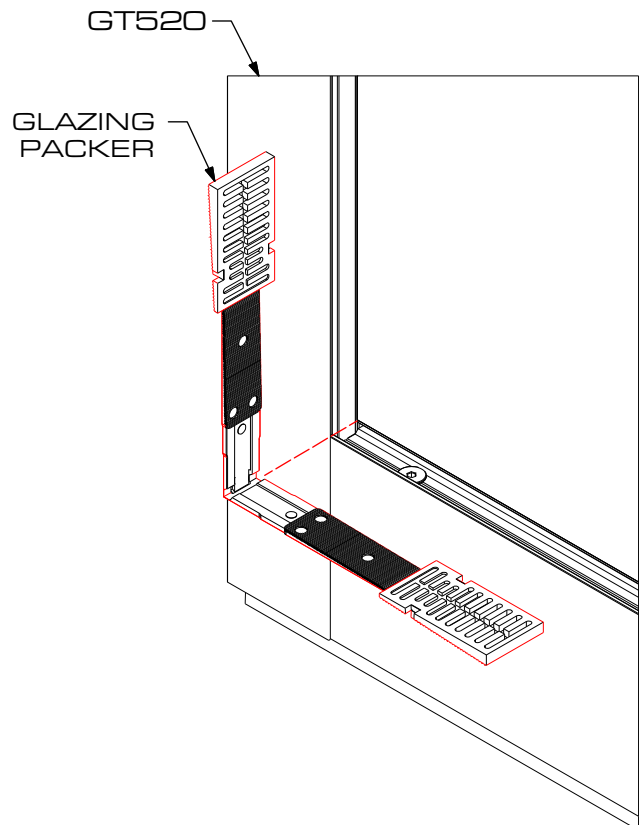
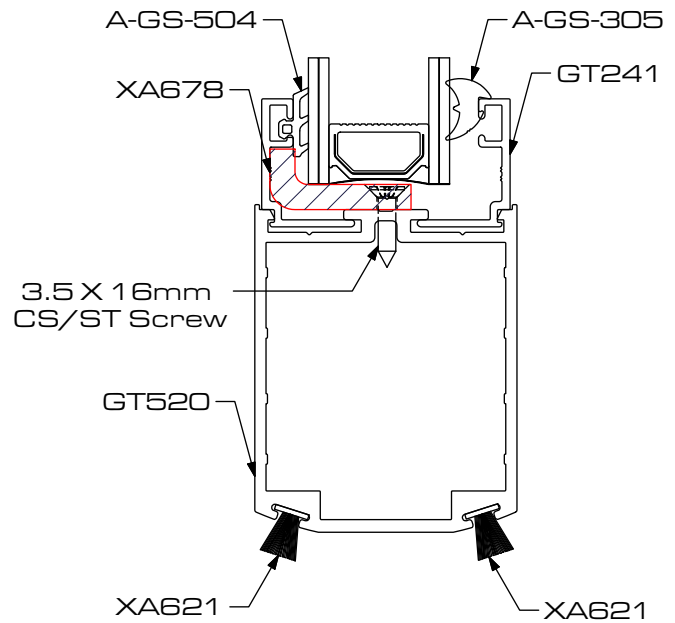
LPS1 175 Glazing



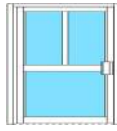
Certified to LPS1175: Issue 1
Security Rating 2



Exterior



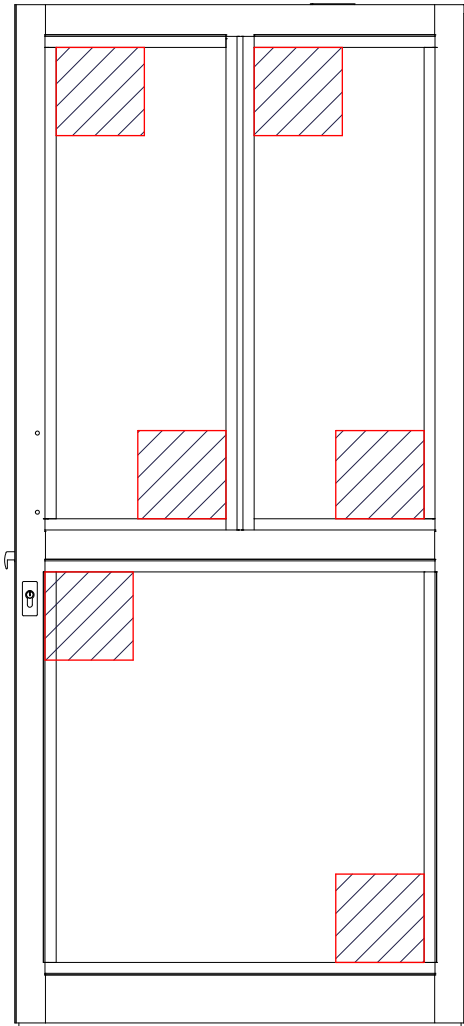
GLASS SPECIFICATION	
DETAILS	NOTES
12mm TECDUR [4T.6PC (To Cavity)] / 12mm Airspace / 4mm Clear Toughened	TECDUR is Attack face (Exterior)



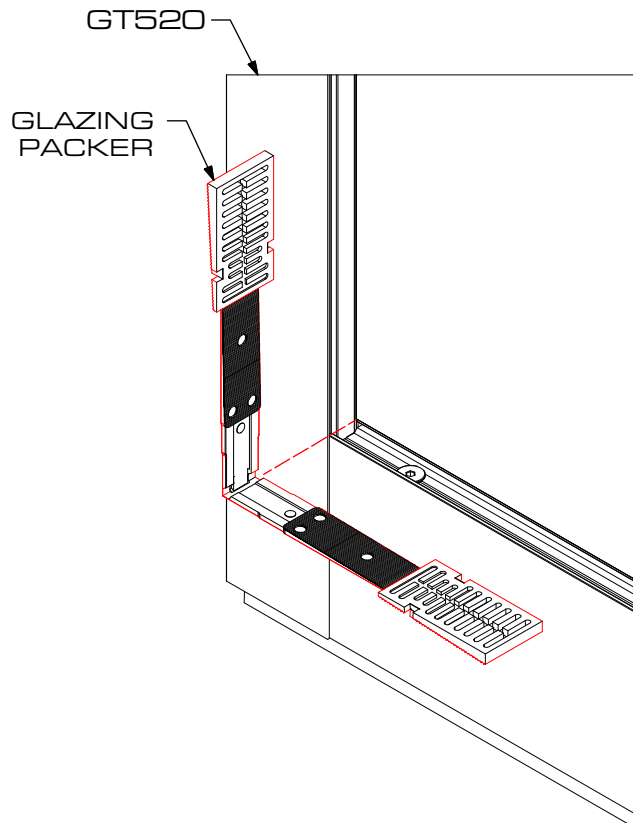
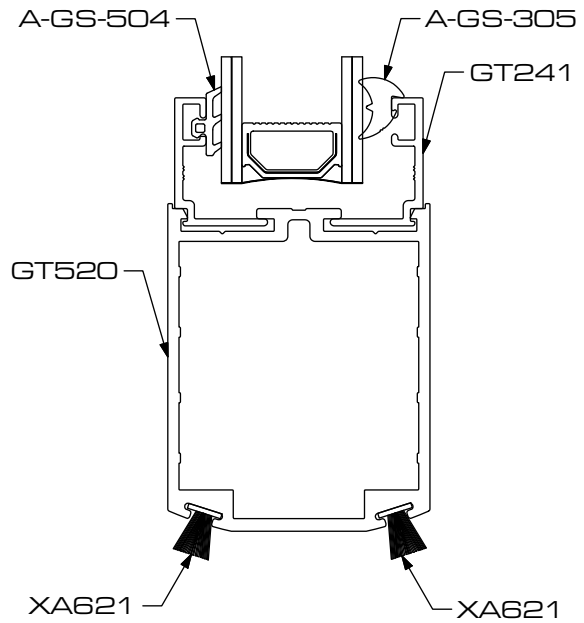
PAS24 Glazing



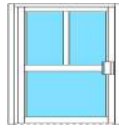
PAS 24



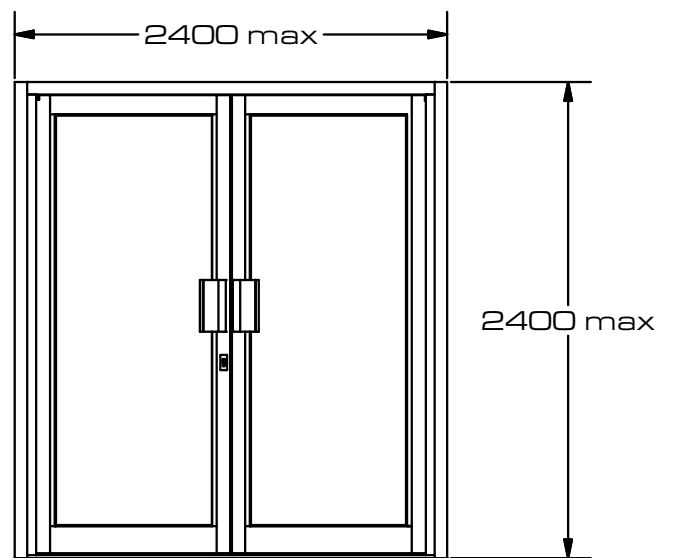
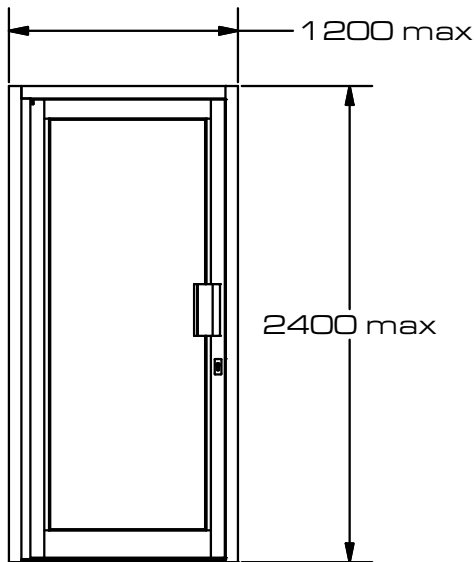
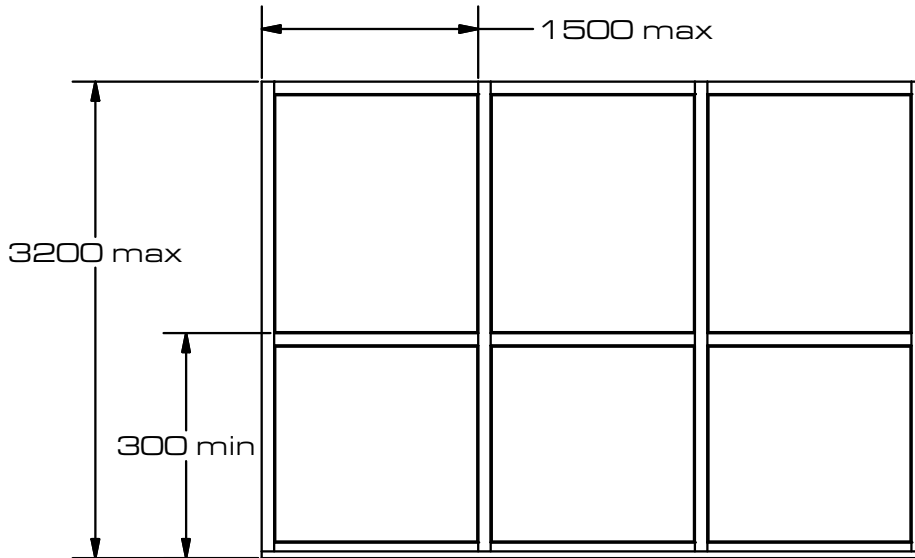
Exterior Interior



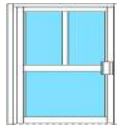
GLASS SPECIFICATION	
DETAILS	NOTES
6mm TOUGHENED / 12mm Airspace / 6mm TOUGHENED	N/A



System Size Limits



ADAMS RITE - DOOR CLOSER SIZE LIMITS			
Spring	Max Door	Max Door	Max Door
Medium	950 mm	60 kg	2400 mm
Heavy	1100 mm	80 kg	2400 mm



Maintenance

For perimeter sealing of aluminium, choose a flexible, preferably extrudable, material capable of forming a watertight interface with aluminium.

The material chosen should have a prolonged service life, i.e. be compatible with BlyweertBeaufort products, which are extremely durable and require minimal maintenance.

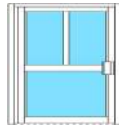
Fit backing strip where necessary and apply sealant in minimum 6mm x 6mm cross section, or in accordance with sealant manufacturers recommendations.

Excess sealant is to be cleaned off immediately to prevent permanent damage to metal finishes, synthetic rubber or plastic which may be present.

After Installation

Take particular care if cement or plaster is being used on the aluminium as it is harmful to the metal finish. If contact is made this should be washed off immediately while it is still wet. Do not rub off particles of grit as it will permanently damage the metal finish.

The door and its finish may be damaged by items knocked against it or left in contact with it. It is important that products with protective tape are not left in exposed conditions (hot, cold or wet) for long periods of time. Ensure that protective tape is removed from all products immediately after installation is complete.



Cleaning

All surfaces and inner chambers should be cleaned using warm soapy water or a mild diluted detergent. The surfaces should be cleaned using a soft cloth, sponge or a soft natural bristle brush.

Glass may be cleaned using warm soapy water, a mild diluted detergent or an appropriate glass cleaner. The surface should be cleaned using a soft cloth or sponge.

Gaskets (some will only be visible with door open) may be cleaned using warm soapy water or a mild diluted detergent using a soft cloth or sponge. Handles and other items which are visible when the door is closed may be cleaned using the same method as described above.

All areas to be thoroughly rinsed and dried after cleaning.

All inner chambers of the door (surfaces visible when door is open) should be kept free of dirt and debris. Always ensure that drainage slots or holes are clear.

Parts exposed when the door is open including face plates, butt hinges and hook bolts should be wiped clean of residue lubricant and grime. These mechanisms should then be lubricated using a light machine oil. Always ensure excess oil is wiped away

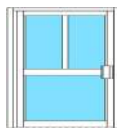


General Notes:

If hardware is found to be faulty or broken, it should be replaced by experienced personnel only.

To ensure that all doors are kept clean and in working order, we recommend that the instructions listed above are followed. Cleaning and maintenance should be carried out twice yearly (spring & autumn), more frequent cleaning may be required in industrially polluted or coastal areas.

installatie ■ installation ■ installation



Krios (Secure)