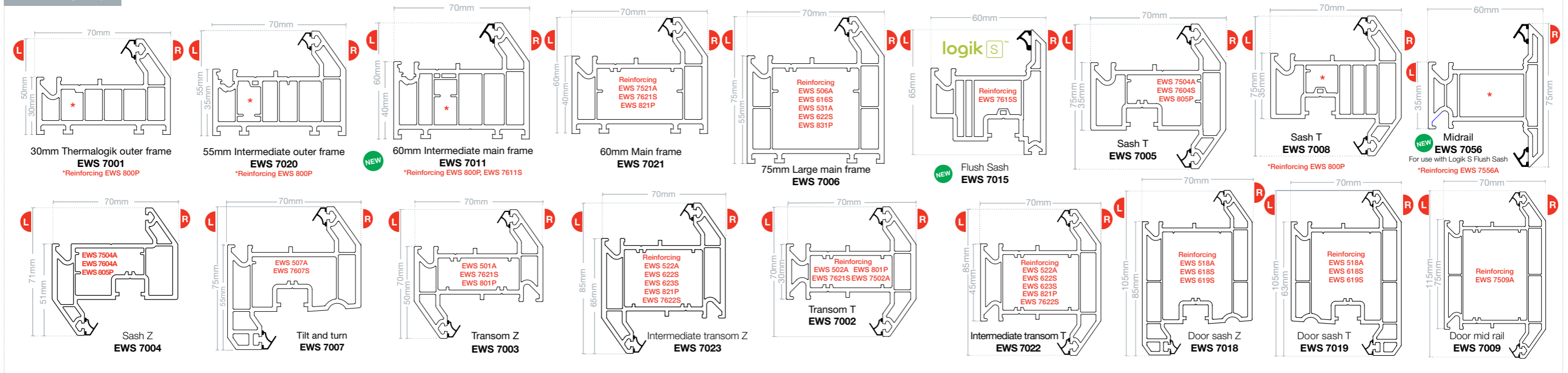
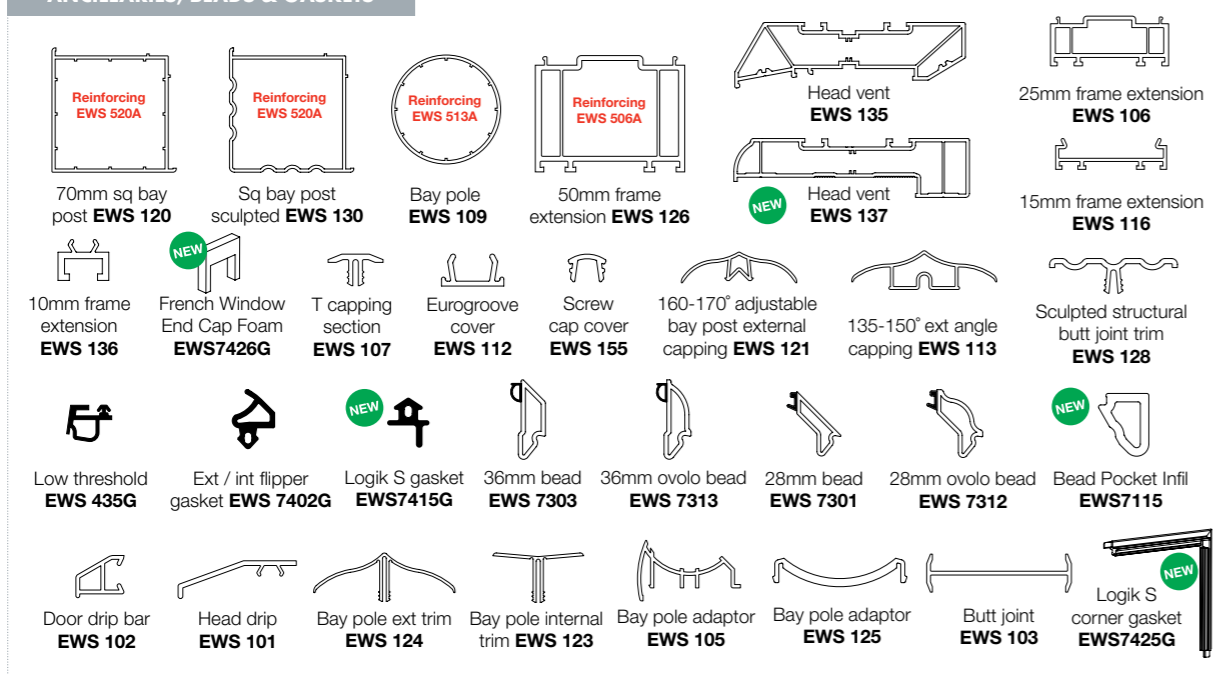


### MAIN PROFILES



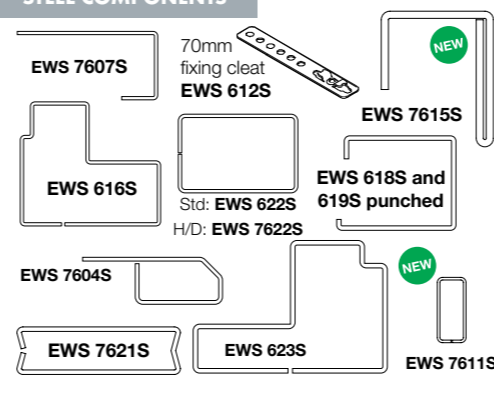
### ANCILLARIES, BEADS & GASKETS



### MOULDINGS



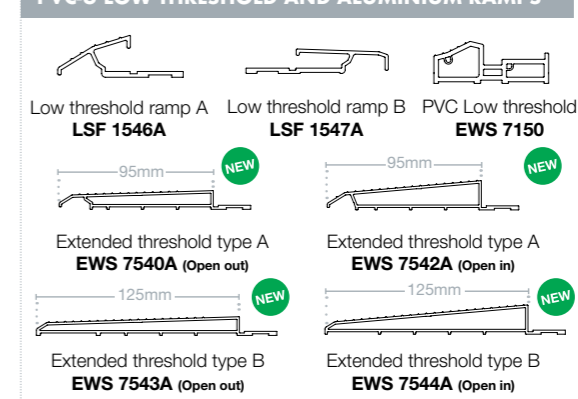
### STEEL COMPONENTS



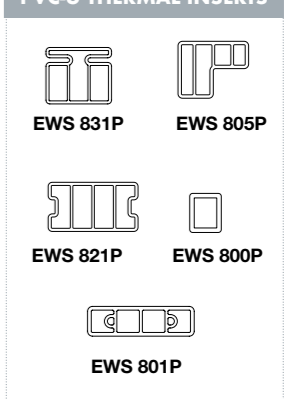
### DEC FEATURES



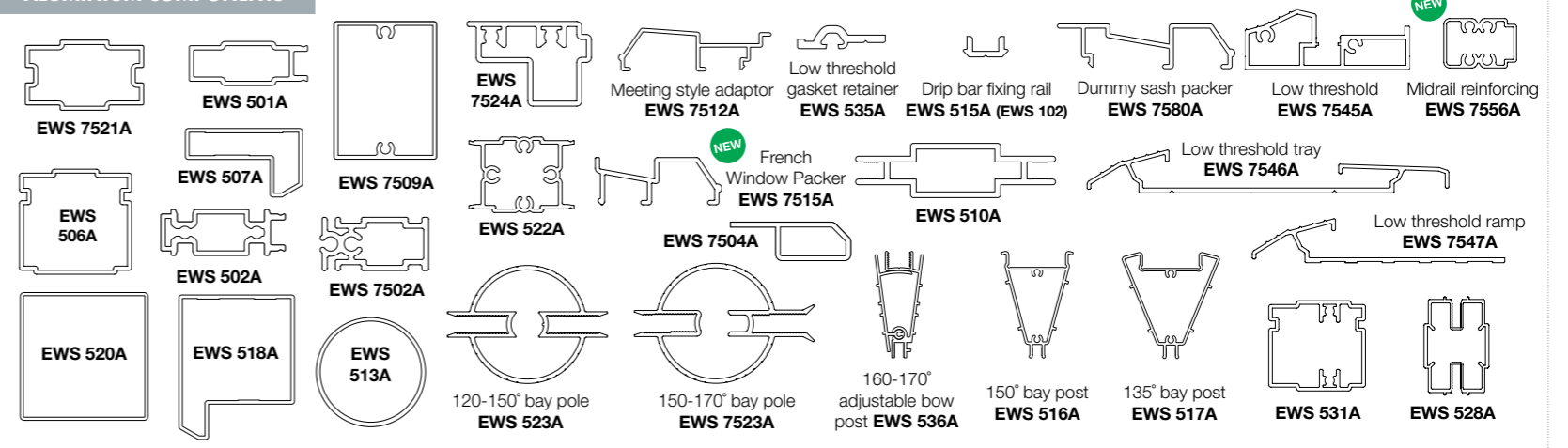
### PVC-U LOW THRESHOLD AND ALUMINIUM RAMPS



### PVC-U THERMAL INSERTS



### ALUMINIUM COMPONENTS



Note: drawings not to scale. The product codes of the main frames on this chart are for the post-consumer recycled PVC-U version of Logik. The 100% virgin PVC-U products are available to order on separate codes. For more details, please contact the Customer Care Team on 01773 842222 or email [customer@eurocell.co.uk](mailto:customer@eurocell.co.uk)

WCLOGIKCH | EU00289 IS3/AUG20\_A3